



### DAS1 ip INS

Item number: 10.711



- DALI-Switch Actuator
- High inrush current up to 165A (20ms)
- Installation housing (INS)
- Power supply onboard, only 0,22W Standby
- Energy efficient design
- High switching capability
- Compliant with common DALI-controller and gateways

#### Brief Description:

- 1-channel actuator (switch) with DALI input
- Electronic loads may have short, but very high peaks of inrush current. Especially designed for all capacitive loads with high inrush current like Electronic control gear (ECG) or LED applications.
- DALI- or push-button-operation with DALI-Input (tastDIM\*)

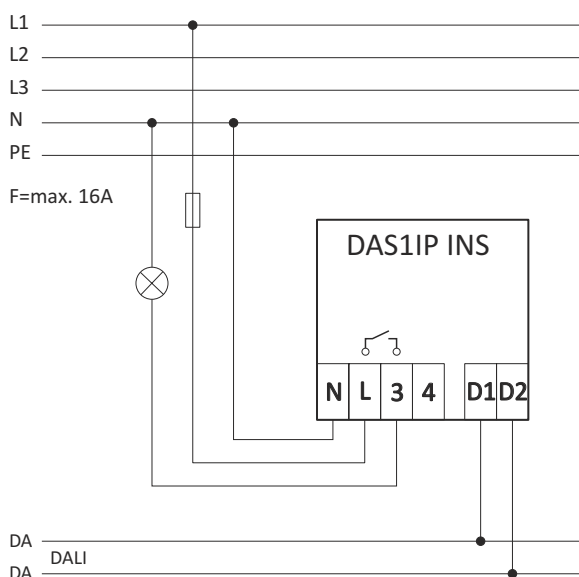
#### Usage:

- DALI controlled switching function for lines and loads with high inrush current
- Cavity / ceiling mounting for integrating lighting and other loads into the DALI set
- No load sensing

#### Installation:

Installation housing for dry indoor using as ceiling-, wall- or assembly in luminaire

#### Circuit diagram



#### Remarks:

- DALI signal is not SELV. The installation instructions for low voltage therefore applies.
- Length for DALI signal wire may not longer than 300 m (on 1.5mm<sup>2</sup> cable diameter) or 2V voltage drop.
- Cable type and diameter: Wiring could be single or fine stranded wire with end sleeves from 0,75mm<sup>2</sup> up to 2,5 mm<sup>2</sup>

#### Programming Information:

Special switching commands:  
 RECAL\_MIN\_LEVEL" = OFF/ switch off  
 RECAL\_MAX LEVEL" = ON/ switch on

# DALI Switch Actuator 1-fold 16A/165A REG

## DAS1 ip INS

Art.Nr.: 10.711



### Technical Data - DAS1 ip INS

|                             |   |   |
|-----------------------------|---|---|
| Operation Voltage           | Internal power supply   | 220V - 240V AC 50-60 Hz   |
| Fuse                        |   | Max. 16A  |
| Type                        | Switch, contacts not floating, switched phase   | 1 x 16A/ 230V AC  |
| Power Consumption           | Standby mode / Operation mode   | 0,22W / 0,45W   |
| Switching Capability        | Max. switching current (AC)   | 3680 Watt   |
|                             | Max inrush current  | 800A/200µs 165A/20ms  |
|                             | Max. ohmic load cos=1 (AC)  | 16A   |
| Lifetime / Switching Cycles | electrical, max le AC-1   | 30.000 cycles   |
|                             | electrical, max le AC-3   | 30.000 cycles   |
| Connections                 | Control circuit   | Screw terminal<br>0,2 ... 2,5 mm <sup>2</sup> fine wired<br>0,2 ... 4 mm <sup>2</sup> single wire                           |
|                             | Mains circuit   | Screw terminal<br>0,2 ... 2,5 mm <sup>2</sup> fine wired<br>0,2 ... 4 mm <sup>2</sup> single wire                           |
|                             | Thigtening torque   | max. 0,6Nm  |
| Design                      | ceiling-, wall- or assembly in luminaire  | Installation housing  |
|                             | Dimensions (height x width x depth)   | 29,5 x 51x 101,5 mm   |
| Weight                      |   | 0.074 kg  |
| Housing / Color             |   | Plastic, white  |
| Enviroment                  | Type of protection according DIN EN 60529   | IP20 10mm/5KV   |
|                             | Protection class  | II  |
|                             | Temperature (ambient) ta  | 0° – 50° Celsius  |
|                             | Humidity  | 5 - 80% not condensing  |
| Protocol input: DALI        | DALI, fluorescent lamp (device type 0)<br>Implementation of switching function see "Programming Information" below.<br>IEC 62386-201_Appendix_switch_functions_v1.0.pdf | DIN IEC 062386-101<br>DIN IEC 062386-102  |
| Input: tastDIM              | push-button-operation with DALI-Input (tastDIM*)  | up to 230VAC  |
| Approbation                 | CE-Mark   | According EMV and Low Voltage Directive<br>DIN EN 60669<br>DIN EN 60669-2-1<br>DIN EN 61000-6-1<br>DIN EN 61000-6-3<br>RoHS |
| Customs                     | HS-Code/ TARIC-Number   | 85364900  |

#### Further hints:

For compatibility reasons the DALI device type is set to 0 (flourescent lamp), because a lot of gateways or controllers do es not support the device type 7 (Switch).

Important: Notice all safety instructions and related documents for Installation and operation.

Names, brandmarks, products or companies can be claimed. All rights are on their respective owners.

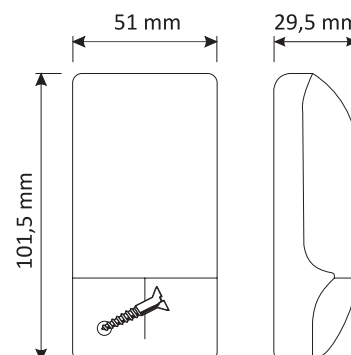
### Alternative products

|  |   |  |
|--|---|--|
|  | DAS1 ip REG<br>1-fold Switch peak 165A - INS<br>Item Number: 10.741 |  |
|  | DAS2 ip REG<br>2-fold Switch peak 165A - INS<br>Item Number: 10.743 |  |
|  | DAS1 ip UP<br>1-fold Switch peak 165A - INS<br>Item Number: 10.771  |  |

### Factory defaults:

| DALI Parameter       |     |       |
|----------------------|-----|-------|
| Min Level            | 1   | 0,1 % |
| Max Level            | 254 | 100 % |
| Power On Level       | 0   | 0 %   |
| System Failure Level | 254 | 100 % |

### Dimension Drawings:



#### \* tastDIM remarks:

! No load monitoring

For operating mode tastDIM (push-button-operation with DALI-Input ) no further DALI-Controllers, DALI-power-supplies, sensors or other devices are allowed to be connected at the control circuit during the operation with tastDIM.

- Multiple push buttons can be assigned to one device.
- Any push button can be assigned to more than one device.
- Please note the hints in the operating instructions.



Carl-Zeiss-Str. 10-14  
97424 Schweinfurt / Germany

Tel. +49(0)9721-7766 0  
Fax. +49(0)9721-7766 18

www.maintronic.de  
info@maintronic.de

