

Casambi DC motor control

CBA1024 Item.No.: 10.790



- DC blind actuator for DC motors (awning, roller blind, curtain ...)
- Absolute positioning
- Slat angle control (on blinds)
- Two programmable inputs
- Easy to calibrate

Two-channel blind actuator to control, blinds, shutter, sunshades, spindle drives or retractable TV mounts for DC motors up to 3.5A with 10-24V DC.

Equipped with 2 programmable inputs, local control is so much easier. These inputs can be used as a direct pre-configured up-down push button or control any Casambi-enabled device via the inputs. For this, only one parameter needs to be changed in the app.



Astro functions (Sunrise, Sunset)



Scheduler and Scenes



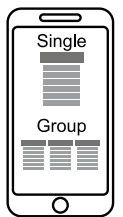
Collective actions (Grouping)



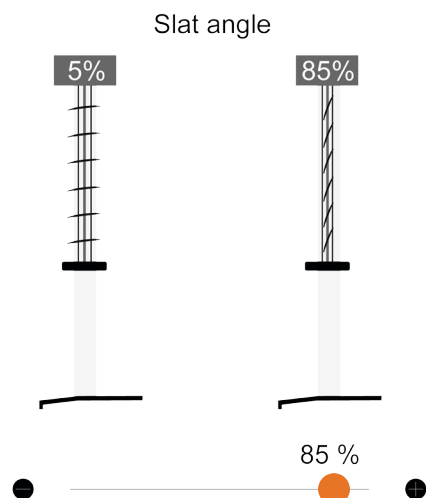
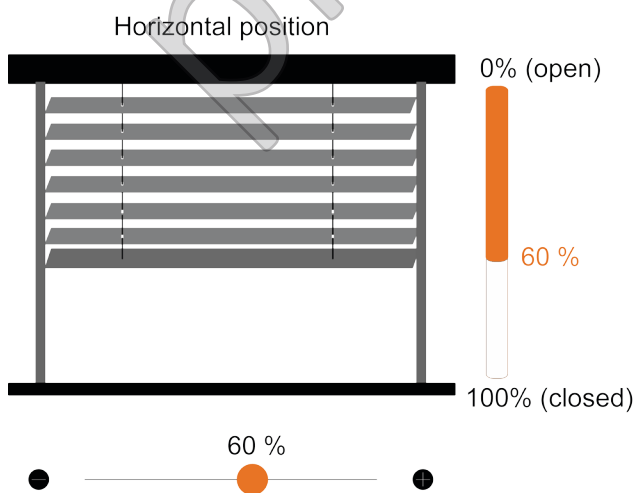
Pushbutton inputs for local control



Remote push-button control (Easyfit or XPress)



The device is found via the Casambi app and can then be integrated into a Casambi network. Automate your application with Casambi ready sensors.



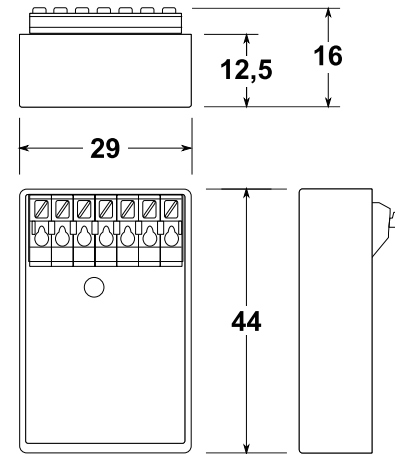
Casambi DC motor control

CBA1024 Item.No.: 10.790

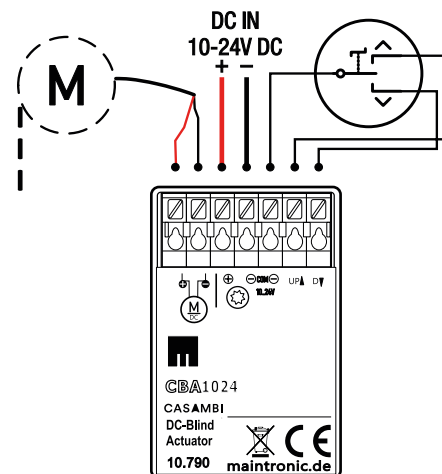


maintronic

Specifications		
Power supply	Pulse-proof constant voltage power supply	10 ... 24V DC
Power consumption	Standby / Operation (Efficiency)	< 0,03W / 2W (max. 99,5%)
Switching type		driver MOSFET
Switching output		max. 3,5A
Terminal wiring	Phoenix push-in spring connection	1,5mm ² solid conductor 1,5mm ² fine-stranded conductor
	Striping length	9 mm (+/- 0.5 mm tolerance)
Protocol	Casambi Bluetooth Low Energy	2,4..2,483 GHz; 4 dBm
Pushbutton input		2 inputs connected to ground
Environment	Type of protection housing	IP20
	Protection class	Class II
	Temperature (ambient) ta	-10°..+50° Celsius
	Temperature (critical) tc	+70° C
	Humidity	15% ... 90% non-condensing
Approbation		CE, UKCA
Design	Construction	Mini Installation housing
	Mounting	For indoor use in installation boxes or in devices of protection class II
	Dimensions (length x width x height) mm	44 x 29 x 16 mm
	Weight	0,014 kg
	Housing	plastics, black
Customs	HS-Code/ TARIC-Number	85365080



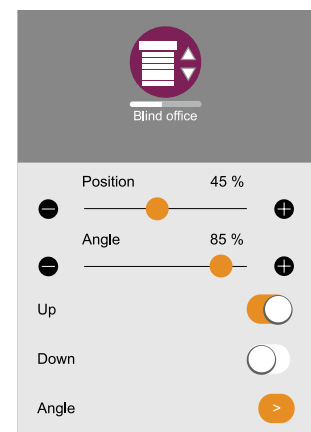
Dimensions



Connection diagram



Easy commissioning and control
by Casambi App



Screenshot APP



Carl-Zeiss-Str. 10-14
97424 Schweinfurt / Germany

Valid from version: H1 F0.2 - Document: 10790_TD_en_A4_CBA1024_20221122

Tel. +49(0)9721-7766 0
Fax. +49(0)9721-7766 18

www.maintronic.de
info@maintronic.de