

CTS2 - Casambi tactile sensor coupler

CTS2 Item.No.: 10.806

NEW



maintronic



- Perfect tactile and visual feedback
- Suitable for System 55
- Two additional inputs
- LED-Sync on multiple devices
- Second operation layer



CASAMBI

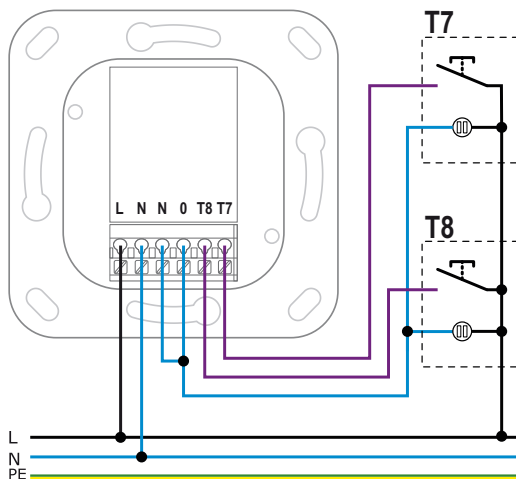
CTS2 combines a Casambi coupler and a Gira push button sensors to a highly responsive user interface.

A second operation layer gives you access to additional scenes, saving costs and installation space.

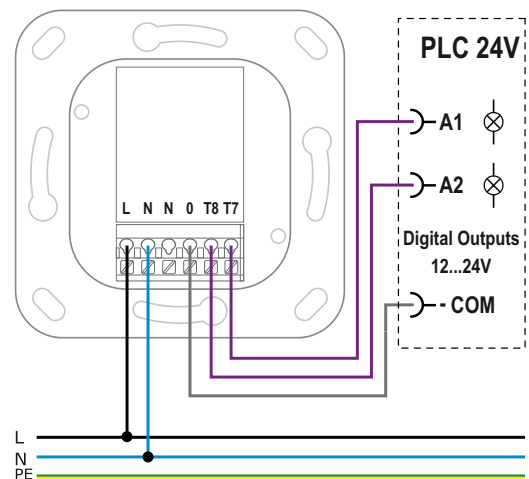
Two additional isolated all-voltage inputs on the rear can be used for push-buttons, motion control and also for all kind of notification and alarm sensors. Each of the inputs can be mapped to any Casambi command. Status is indicated via the LEDs and synchronized with other CTS2.

This device is suitable for System 55 product range such as Gira, Berker, Jung, Merten and others with this common form factor. There are several push-button designs available up to your choice.

Knowing the status of Casambi groups, scenes, timers or devices gives you a verbose and completely new experience of your Casambi installation. The backlighted front panel can be labeled with individual icons for perfect intuitive operation.



Connection and wiring additional pushbutton-inputs



Connection and wiring additional pushbutton-inputs to a PLC

CTS2 - Casambi tactile sensor coupler

CTS2 Item.No.: 10.806



Back CTS2 Advanced	Back CTS2 Advanced
INFORMATION	PARAMETERS
Name CTS2 Advanced	Enable second Page Yes >
Icon Tap to set >	Button 1 Scene Scene 01 >
Vendor maintronic	Button 2 Scene Scene 01 >
Model CTS2 Advanced	Button 3 Scene XLED-RGB-ANI01 >
Details >	Button 4 Scene CRD-ANI-02 >
	Button 5 Scene Select scene >
	Button 6 Scene Select scene >
	Button 7 Scene Select scene >
	Button 8 Scene Select scene >
	Turn on time for Backlight 12pm >
	Turn off time for Backlight never Off >
	Mode for Input 7 push button (standard) >
	Mode for Input 8 push button (standard) >
PUSH BUTTONS	
Controls a group Jalousien >	
Control scene CSA DN >	
Controls a luminaire CBA-DC Blind + BTN >	
Controls an element CBA-DC Blind + BTN: Angle >	
Controls a luminaire miniXLED4 TW/TW >	
Adjust the temperature of a luminaire >	

Screenshot Casambi app switches section

Power supply	100 ... 250V AC 50/60 Hz
Power consumption	< 0,15W
Inputs (Gira TS2 Sensor)	6 tactile buttons wall control with LED feedback; backlight switchable with timer
Inputs (Casambi enabled push-button input)	2x inputs 12..250 V (AC and DC) for System 55 mains voltage push-buttons, PLC or motion detector
Casambi	Bluetooth Low Energy (BLE); App available for Android and iOS
Terminals	push-in spring connectors
Wiring	single-wire / fine-wire: 0,5 ... 1,5 mm ² fine-wire with ferrule: 0,5 ... 0,75 mm ²
Stripping length	9 mm (+/- 0,5 mm)
LED indicator	LED feedback status, button backlight
Type of protection housing	IP20
Protection class	II
Temperature ambient (ta)	-20°C to +50°C
Temperature critical (tc)	+70°C
Applied standards	CE
Installation	flush-mounted
Dimensions (height; Ø)	h=32mm; Ø max.=55mm
Weight	0,056kg
Housing	fiber-reinforced plastic, white
Customs tariff number	85423190

Scope of delivery

quantity	Item-No.	Item name	
1x	2003 100	CTS2	
1x	2003 100	TS2, 3 rockers, white	
1x	0211 03	single frame	

Compatible GIRA sensors

item-No.	specification	version	picture
2003 100	clear/ pure white glossy	3-fold white	
2003 600	stainless steel	3-fold silver	
2001 100	clear/ pure white glossy	1-fold white	
2001 600	stainless steel	1-fold silver	