

- 600W Retrofit-Universal-Dimmer
- Control with DALI or touchDIM (1)
- Advanced Adaptive Dimming (2)
- Load detection for all kind of loads, including LED
- Load no. indicator
- DIN-rail housing
- Protections (over temperature, over current, short circuit)

### Short product description

One-channel phase dimmer for brightness control of R,L,C including LED retrofit loads. Operates as a digital leading and trailing edge phase dimmer with automatic load detection.

### As flexible as the needs of its users

DRD600 REG for top-hat rail mounting can be used as a single 230V touch dimmer or as a DALI comfort dimmer.

### touchDIM (1)

Als Tastdimmer können viele Funktionen bereits mit 230V *tastDIM* am isolierten DALI Eingang genutzt werden. Dabei werden Konventionelle Taster plus Glimmlampen je nach Verdrahtung mit L oder N direkt getastet.

### „Advanced Adaptive Dimming“ (2)

This device is developed especially for the needs of modern lighting where the lighting source typically is LED. Easy commissioning due to an automatic measure during the initial power cycle.

Almost magical, the load is automatically measured. AdaptiveDIM calculates the optimum dimming characteristic and sets a stable MIN and MAX level.

### Load no. indicator

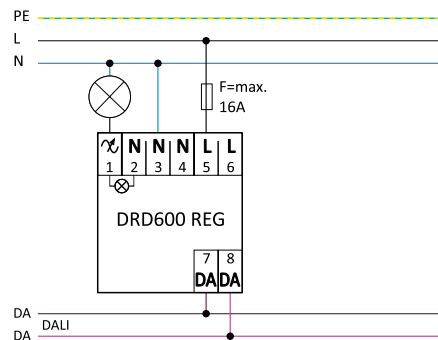
If an LED load was detected during calibration, the maximum number of luminaires of the same type can be used is indicated by a flashing status LED (works with a measurement of a single luminaire).

## DRD600 REG

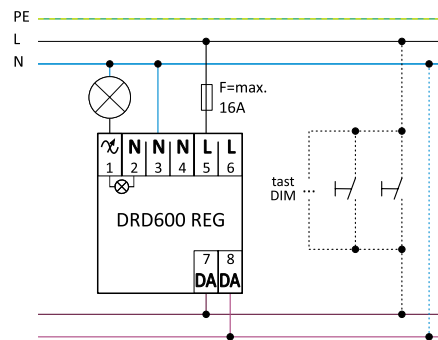
Item No.: 10.231

Specification	Item no. 10.231	DRD600 REG
Rated Voltage		220-240V AC
Mains frequency		50/60Hz
Connected Load		3-600W
Power loss	Standby / Operation	0,75 W / 1,8 W bei Vollast
Terminals and wiring	Spannungsversorgung ; DALI D1/D2; Ausgang <sup>1</sup>	Screw terminal fine wire: 0,2 ... 2,5 mm <sup>2</sup> single wire: 0,2 ... 4 mm <sup>2</sup>
Operation- and indication units		Device Button, Status-LED
Protection circuits	Short circuit with auto restart, over temperature (derating), over current, over Voltage	
Umgebung	Type of protection DIN EN 60529	IP20, Class II
	Temperature ambient ta	-0°...+50° Celsius
	Temperature critical tc	70° Celsius
	Humidity	5 - 80% non-condensing
DALI	IEC 62386	Device Type 4
	Quantity DALI short addresses	1
	Current consumption from DALI	< 2mA
Alternative control		touchDIM, 230V AC over DALI-input
Control range	Characteristic output curve	0; 0.1-100 % according to IEC 62386-102 (logarithmic)
		Linear or customized characteristic curve on request
Approbation	EMV	DIN EN61000-6-1, DIN EN61000-6-3
	CE-Zeichen	According to EMC and low voltage guidelines
Design	Construction	Top hat rail module (2TE) 35mm DIN EN 60715
	Mounting	Installation in switchgear, Distributions
Dimensions	(Height x width x depth) mm	90 x 36 x 62 mm
	Housing, colour	plastic , grey
	Weight	0,150 kg
Customs	HS-Code/ TARIC-Number	85365080
Co-applicable documents	Installation instructions; product manual	

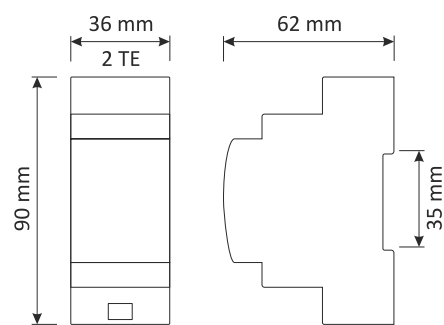
Important: Notice all safety instructions and related documents for Installation and operation. Names, trademarks, products or companies can be claimed. All rights are on their respective owners.



Connection diagram with DALI



Connection diagram with 230 VAC push button (touchDIM)



Housing dimensions