

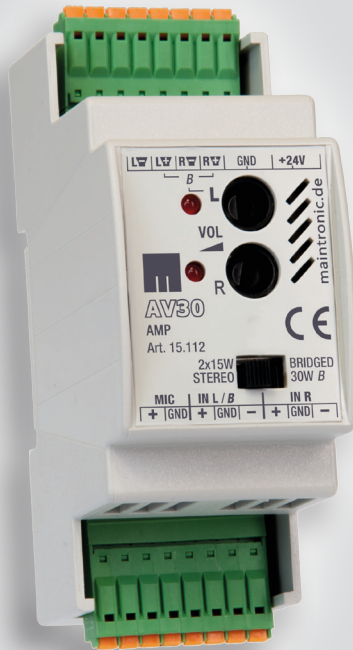
# Amplifier 2x15W top-hat rail

## AV30 ec / AV30 ec MI

Art.Nr.: 15.112 / 15.113



maintronic



- 2 channel class-D amplifier
- Balanced and unbalanced inputs
- Summing amplifier inputs
- Switchable stereo / bridged
- Separate volume control for each CH
- Microphone input (item no. 15.113)
- High-Efficiency Green Design

### Rail mounting in the electrical control cabinet

Best sound in the smallest space with Cool Power Technology that ensures low heat development, plus an easy and fast installation/mounting on a top-hat rail.

### Zone coverage

With the balanced audio input, the AV30 can also be used over longer distances for zone coverage.

### Summing amplifier inputs

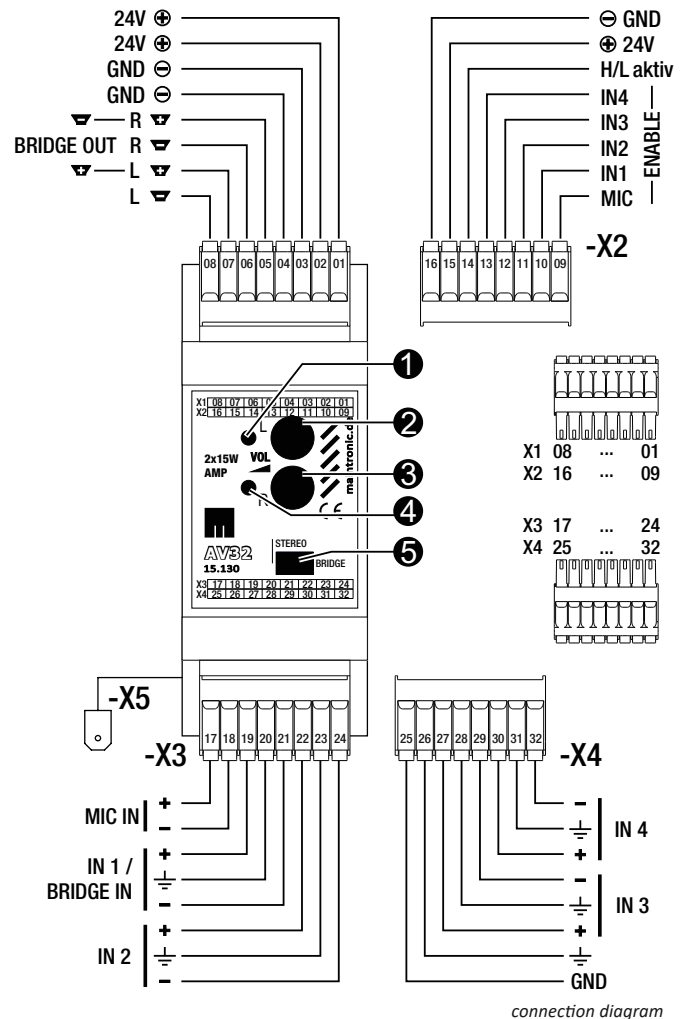
Different signal sources can be connected together to one input e.g. Announcements and music, the various signals are superimposed.

### Green Design

Virtually all of the current drawn is transformed into music performance thanks to the High-Efficiency Green Design and the associated very high efficiency.

### Protection circuits

With numerous protection circuits such as over-temperature protection, short-circuit protection, power-on button suppression and switch-on delay, the AV30 is optimally equipped for daily service.



connection diagram



# Amplifier 2x15W top-hat rail

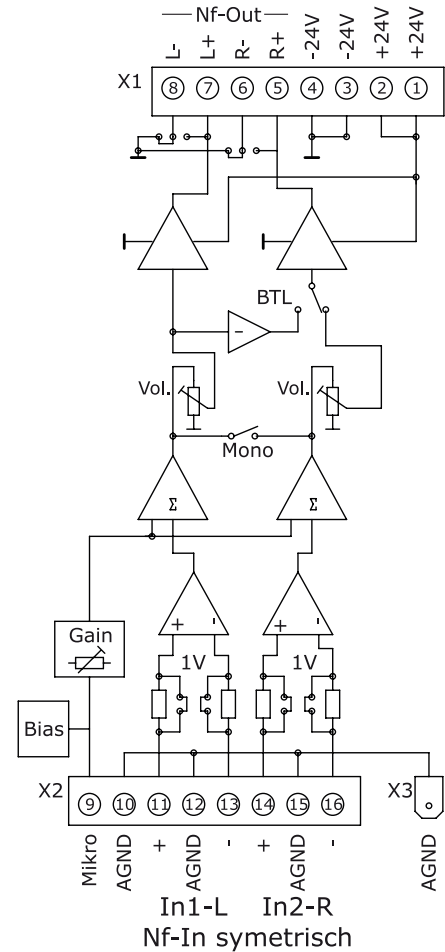
## AV30 ec / AV30 ec MI

Art.Nr.: 15.112 / 15.113

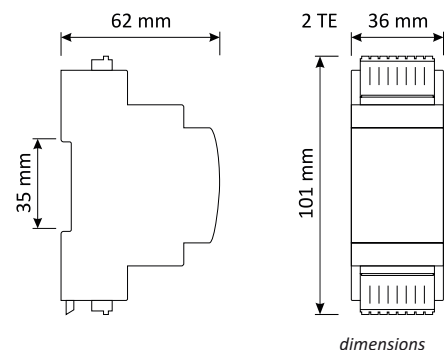


### Specification

Power consumption	24V DC / 0,79W @ 0W output   max. 31,2W @ 30W audio power output	
Power requirements	12...26V DC   recommended 24V DC	
Load impedance	40hms	80hms
Max. midband power output /24V	2 x 15W	2x 10W
Rated power output THD < 0,1% 1KHz	12W	6W
Max. bridged Power output THD = 1%	-	1x 30W @ 80hms
Input impedance	22kOhms   balanced 47kOhms	
Frequency bandwidth	42Hz...21KHz	
THD+N	0,05%	
SNR 1kHz	92dB	
Voltage gain, ref 1KHz	27dB	
Crosstalk Po=1W f=1kHz	-70dB	
Connections	Push-in spring connection 0,2...1,5mm <sup>2</sup>	
Control and indication	Output-Level LEDs, Level L + R, switch for stereo - bridge, Input sensitivity for microphone-IN	
Micro-IN (only item no. 15.113)	Input for active electret microphone with preamp; 9...12V phantom power; input sensitivity 1V	
Protection circuits	over-temperature protection, short-circuit protection, power-on button suppression and switch-on delay	
Housing / color	Self-extinguishing blend PC/ABS / RAL 7035	
Protection type	IP40 > DIN EN 60529	
Ambient temperature ta	-20C° ... +40°C	
Dimensions	(height x width x depth) mm top-hat-rail	101 x 36 x 62 mm 2 TE/DIN EN 60715 units
Weight	93g	
EORI-Number	HS-Code/ TARIC-Nummer	85365080
Other applicable documents:	quick guide; manual Infotainment Audio System	
Important note:	Observe all relevant safety guidelines and the applicable documentation for installation and operation.	



block diagram



dimensions

### Item no. 15.113

Microphone input, which can be used for active electret microphones with preamp and asensitivity of 1V (operating voltage 9...12V) for announcements or alerts.



Carl-Zeiss-Str. 10-14  
97424 Schweinfurt / Germany

Tel. +49(0)9721-7766 0  
Fax. +49(0)9721-7766 18

www.maintronic.de  
info@maintronic.de

Document Number: 15112\_TD\_en\_AV30ec\_20210323

Mistakes and typing errors reserved. maintronic® GmbH All rights reserved. | www.maintronic.de