

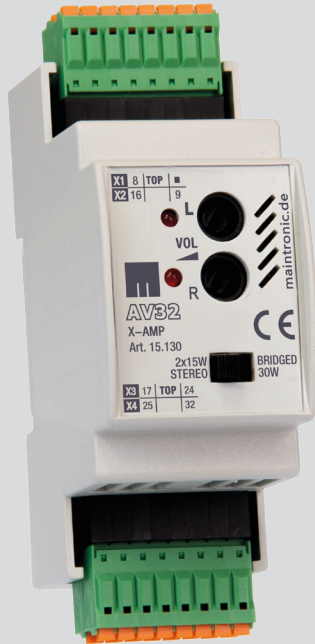
# Amplifier 2x15W top-hat-rail - remote

## AV32

item number: 15.130



maintronic



- 2 channel class-D amplifier
- Externally switchable inputs
- Balanced and unbalanced inputs
- Summing amplifier inputs
- Separate volume control for each CH
- High-Efficiency Green Design
- Microphone input

### Rail mounting in the electrical control cabinet

Best sound in the smallest space with Cool Power Technology that ensures low heat development, plus an easy and fast installation/mounting on a top-hat rail.

### Switchable inputs

The inputs can be switched on and off via external contacts. It is possible to switch different signal sources separately.

### Zone coverage

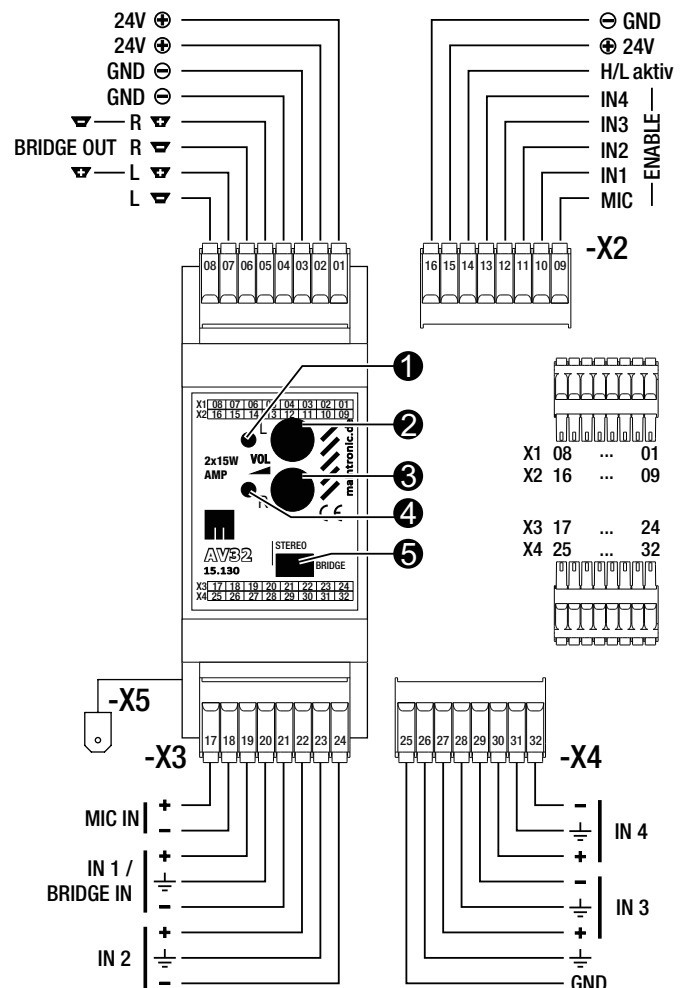
With the balanced audio input, the AV30 can also be used over longer distances for zone coverage.

### Summing amplifier inputs

Different signal sources can be connected together to one input e.g. Announcements and music, the various signals are superimposed.

### Green Design

Virtually all of the current drawn is transformed into music performance thanks to the High-Efficiency Green Design and the associated very high efficiency.



Anschlussbild



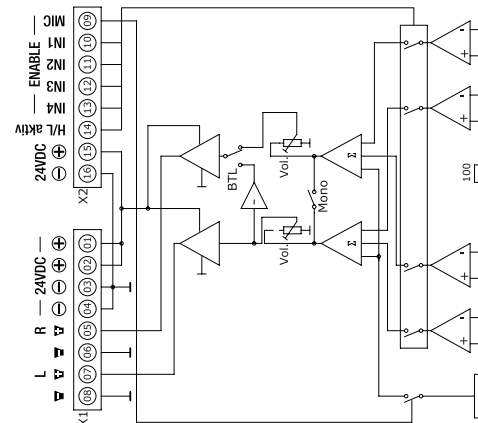
# Amplifier 2x15W top-hat-rail - remote

## AV32

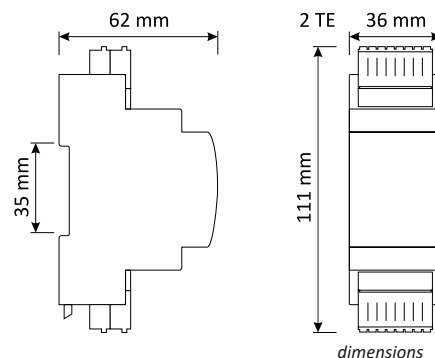
item number: 15.130



| Specification   | item no. 15.130   | AV32  |
|---|---|---|
| Power consumption   | 24V DC / 0,79W @ 0W Output   max. 31,2W @ 30W Audio Power Output  |   |
| Power requirements  | 12...26V DC   empfohlen 24V DC  |   |
| Load impedance  | 4 Ohm   | 8 Ohm                                       |
| Peak power output /24V  | 2 x 15W   | 2x 10 W                                     |
| Rated power output<br>THD < 0,1% 1KHz   | 12W   | 6W  |
| Max. bridged Power output<br>THD = 1%   | 1x 30W  |   |
| Input impedance   | 22kOhm   balanced 47kOhm  |   |
| Frequency bandwidth   | 42Hz...21KHz  |   |
| THD+N   | 0,05%   |   |
| SNR 1 kHz   | 92dB  |   |
| Voltage Gain, ref 1KHz  | 27dB  |   |
| Crosstalk Po=1W f=1kHz  | -70dB   |   |
| Connections   | Push-in spring connection 0,2...1,5mm <sup>2</sup>  |   |
| Control and indication  | Output-Level LEDs, Level L + R, switch for stereo - bridge,<br>Input sensitivity for microphone-IN        |   |
| Switchable inputs   | Inputs can be switched high or low active with 24V DC   |   |
| Micro-IN  | Input for active electret microphone with preamp;<br>9...12V phantom power; input sensitivity 1V          |   |
| Protection circuits   | over-temperature protection, short-circuit protection, power-on button<br>suppression and switch-on delay |   |
| Housing / color   | Self- extinguishing blend PC/ABS / RAL 7035   |   |
| Protection type   | IP40 > DIN EN 60529   |   |
| Ambient temperature ta  | -20C° ... +40°C   |   |
| Dimensions  | (height x width x depth) mm<br>top-hat-rail   | 111 x 36 x 62 mm<br>2 TE/DIN EN 60715 units |
| Weight  | 107g  |   |
| EORI-Number   | HS-Code/ TARIC-Nummer   | 85365080                                    |
| Mitgeltende Unterlagen:   | quick guide; manual Infotainment Audio System   |   |
| Important note: Observe all relevant safety guidelines and the applicable documentation for installation and operation. |   |   |



block diagram



dimensions

### Protection circuits

With numerous protection circuits such as over-temperature protection, short-circuit protection, power-on button suppression and switch-on delay, the AV30 is optimally equipped for daily service.



Carl-Zeiss-Str. 10-14  
97424 Schweinfurt / Germany

Tel. +49(0)9721-7766 0  
Fax. +49(0)9721-7766 18

www.maintronic.de  
info@maintronic.de

Dokumentennummer: 15130\_TD\_en\_AV32\_20210323

Mistakes and typing errors reserved. maintronic® GmbH All rights reserved. | www.maintronic.de