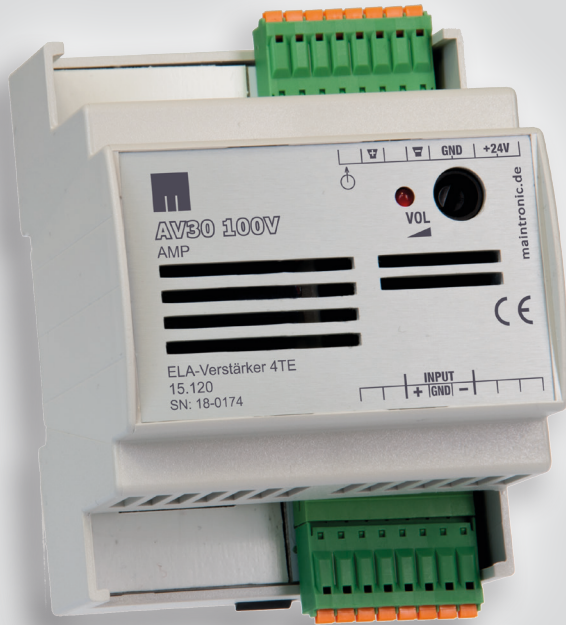


100V ELA-amplifier top-hat rail 4TE

AV30 100V / AV30 100V MI

Item No: 15.120 / 15.121



- 1 channel class-D amplifier
- 100V ELA transducer
- Balanced and unbalanced inputs
- Summing amplifier inputs
- Top-hat rail mounting
- Microphone input (item no. 15.121)
- High-Efficiency Green Design

Rail mounting in the electrical control cabinet

Best sound in the smallest space with Cool Power Technology that ensures low heat development, plus an easy and fast installation/mounting on a top-hat rail.

Summing amplifier inputs

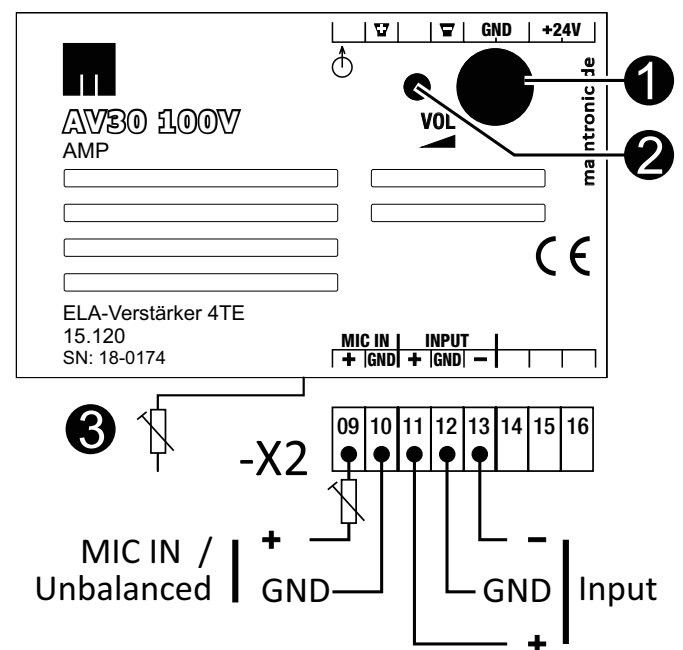
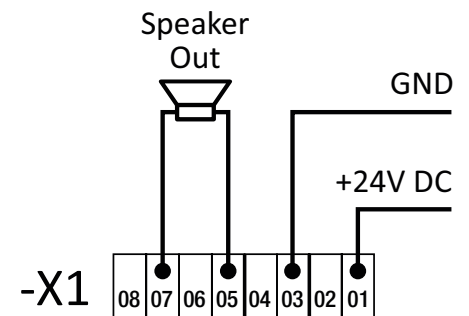
Different signal sources can be connected together to one input e.g. Announcements and music, the various signals are superimposed.

High-Efficiency Green Design

Virtually all of the current drawn is transformed into music performance thanks to the High-Efficiency Green Design and the associated very high efficiency.

Protection circuits

With numerous protection circuits such as over-temperature protection, short-circuit protection, power-on button suppression and switch-on delay, the AV30 is optimally equipped for daily service.



Anschlussbild



100V ELA-amplifier top-hat rail 4TE

AV30 100V / AV30 100V MI

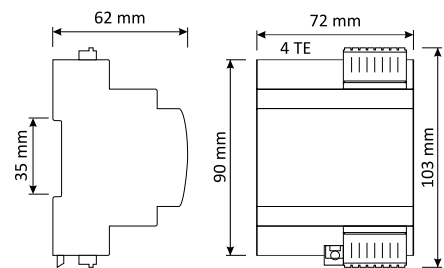
Item No: 15.120 / 15.121



Specification

Power consumption	24V DC / 0,79W @ 0W Output	
Power requirements	12...26V DC empfohlen 24V DC	
Load impedance	400 Ohm / 100V	
Peak power /24V	1 x 25W	
Rated power output THD < 0,1% 1KHz	1x 10W	
Input impedance	22kOhm balanced 47kOhm	
Frequency bandwidth	42Hz...18KHz	
SNR 1kHz	1W 87dB	
Voltage Gain, ref 1KHz	27dB	
Crosstalk Po=1W f=1kHz	-70dB	
Microphone-Input (nur Art. Nr. 15.121)	Input for active electret microphone with preamp; 9...12V phantom power; input sensitivity 1V	
Connections	Push-in spring connection 0,2...1,5mm ²	
Control and indication	Output level LEDs, volume control, input sensitivity control for microphone IN	
Protection circuits	over-temperature protection, short-circuit protection, power-on button suppression and switch-on delay	
Housing / color	Self-extinguishing blend PC/ABS / RAL 7035	
Protection type	IP40 - DIN EN 60529	
Ambient temperature ta	-20°C ... +40°C	
Dimensions	(height x width x depth) mm top-hat-rail	103 x 72 x 62 mm 4 TE/DIN Units.
Weight	0,300 kg	
EORI-Number	HS-Code/ TARIC-Nummer	85365080
Other applicable documents	installation guide; manual Infotainment Audio System	

Important note: Observe all relevant safety guidelines and the applicable documentation for installation and operation.



dimensions

Item no. 15.121

Microphone input, which can be used for active electret microphones with preamp and a sensitivity of 1V (operating voltage 9...12V) for announcements or alerts.